

INDUCTANCE

1 mH

LOSSES

12 Watts

WEIGHT

4 Lbs

NO.

CHANGE DESCRIPTION

BY

DATE

C'K'D

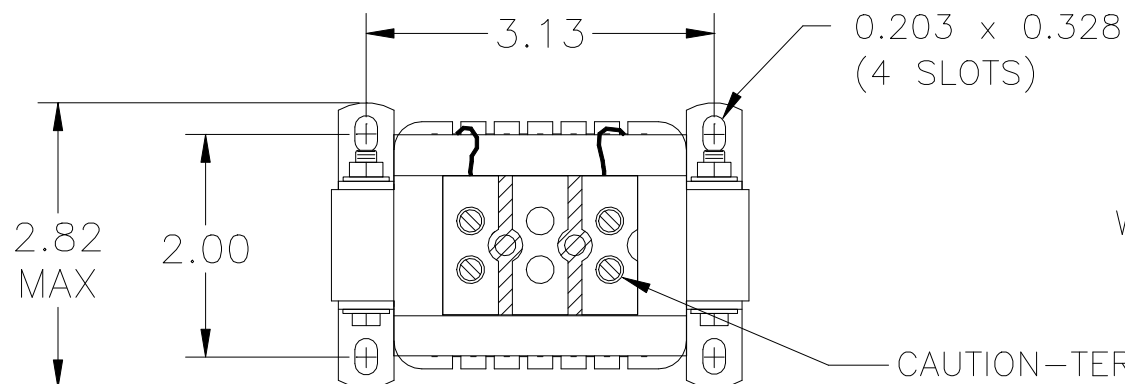
06

REVISED PER ECR 7175, ADDED CD

RS

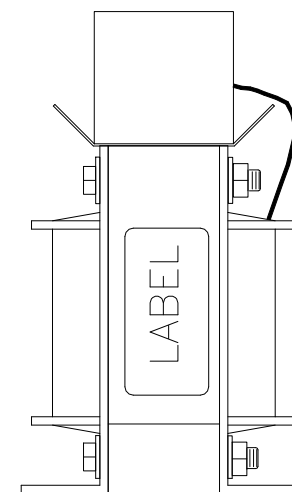
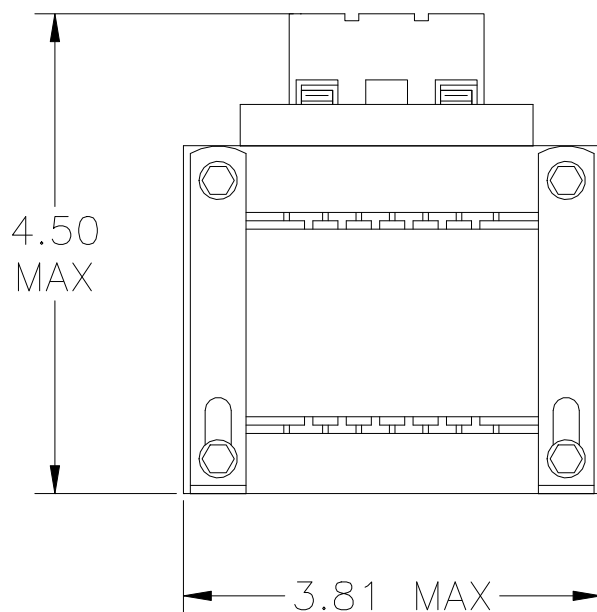
8/23/10

FILE:



WIRE RANGE: 18-4 AWG

CAUTION-TERMINAL SCREW TIGHTENING
TORQUE: 20 in-lb MAX.



UNLESS OTHERWISE SPECIFIED, DIMENSIONS ARE IN INCHES [mm]
AND TOLERANCES ARE:

DECI.

FRAC.

ANGLES

DRILLED HOLES

PART NAME:

DC LINK CHOKE

DESCRIPTION:

OUTLINE DIMENSION

FINISH:

MTE CORPORATION
MENOMONEE FALLS, WISCONSIN

CD 25RB002

REV.
06

SCALE NTS

DATE 04/18/98

C'K'D

REF.

DR. BY CEL

APP'D